



**Vipac Engineers & Scientists Ltd.**

279 Normanby Rd, Port Melbourne, VIC 3207, Australia

Private Bag 16, Port Melbourne, VIC 3207, Australia

t. +61 3 9647 9700 | f. +61 3 9646 4370 | e. melbourne@vipac.com.au

w. www.vipac.com.au | A.B.N. 33 005 453 627 | A.C.N. 005 453 627

# TEST CERTIFICATE

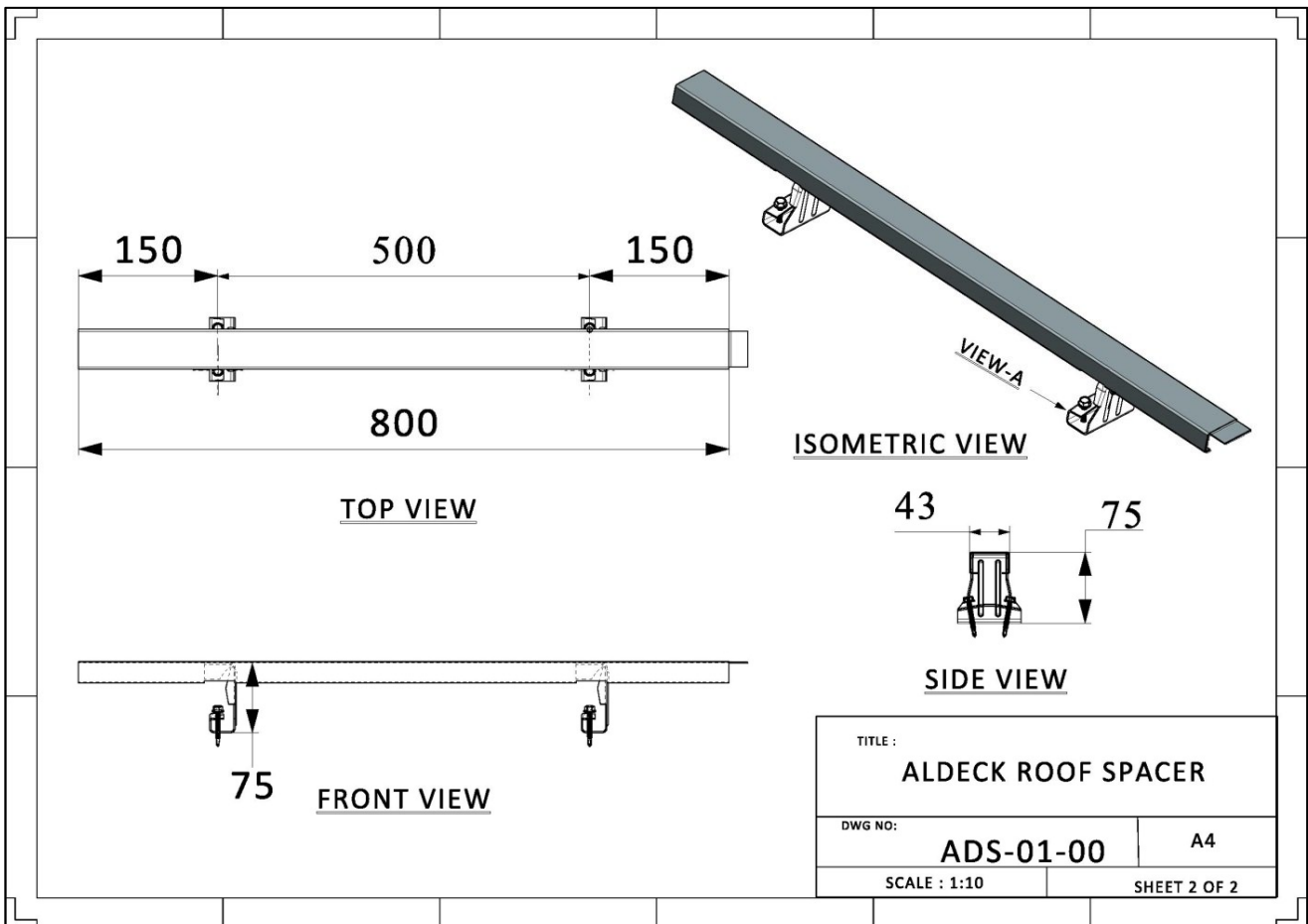
Project Title: 800 x 75 mm Bracket Testing – AS 1562.1:1992	Ref No.: 30B-15-0001-COC-391035-1
	Date: 28 Jan 2016

**Customer Information:**

Customer:	Aldeck Sales Pty Ltd
Address:	15 Brock Street Thomastown, Victoria, 3074, Australia
Contract/Purchase Order No.:	30B-15-0001-PTQ-359236-4, 30B-15-0001-CCR-379694-0

**Sample Information:**

Product	Dimensions (mm)	Test(s)
Aldeck Roofing Bracket	800 x 75	AS 1562.1-1992 Clause 5.4 AS 1562.1-1992 Clause 5.5 AS 1562.1-1992 Clause 5.6





**Test Results:**

Product	Test(s)	Region	Result
Aldeck roofing bracket 800 x 75 mm 2 legs, 4 screws 1.2mm top thickness 1.6mm leg thickness	Concentrated Load – Serviceability (AS 1562.1:1992 <i>Clause</i> 5.4.2)	N/A	Passed
	Concentrated Load – Ultimate (AS 1562.1:1992 <i>Clause</i> 5.4.3)	N/A	Passed
	Non-Cyclonic – Serviceability (AS 1562.1:1992 <i>Clause</i> 5.5.1)	N6	Passed
	Non-Cyclonic – Ultimate (AS 1562.1:1992 <i>Clause</i> 5.5.2)	N6	Passed
	Cyclonic – Serviceability (AS 1562.1:1992 <i>Clause</i> 5.6.2)	C4	Passed
	Cyclonic – Ultimate (AS 1562.1:1992 <i>Clause</i> 5.6.3)	C3	Passed
	Failure (Tensile)	N/A	8.29 kN
	Failure (Tensile)	N/A	8.03 kN

**Notes/Assumptions:**

- Results have been taken from test report 30B-15-0001-TRP-390927-1 and are subject to all limitations and assumptions outlined in said report.
- When installing the bracket at any position on the roof, bracket spacing is 1.25 brackets/m<sup>2</sup>. When installing the bracket within 1200 mm of any edge on the roof, or at a corner, bracket spacing is 2.50 brackets/m<sup>2</sup>. These bracket spacing values are applicable for installation in N6, C3 and C4 regions only.
- Roof sheeting is rigid (i.e. testing fixture is rigid) with fastener spacing (p) of 150mm.
- Results are for the bracket only, not of the entire system.

**Results Statement:**

Result:	Vipac Engineers & Scientists have tested the above product to AS 1562.1-1992 <i>Clause</i> 5.4, 5.5 and 5.6. The product passed all tests when considering all limitations and assumptions outlined above and in test report 30B-15-0001-TRP-390927-1.	
Title:	Environmental Test Engineer ( <i>Author</i> )	Project Engineer ( <i>Reviewer</i> )
Name:	Jared Carnie	Tim Roffey
Signature:		
Date:	28 Jan 2016	28 Jan 2016