

RELOCATABLE ROOF ANCHOR CLAMPS

Finally a cost effective and easily handled fully relocatable Roof Anchor Clamp is on the market adding convenience to safety.



FIXES TO ANY TYPE OF METAL ROOFING (INCLUDING CORRUGATED)

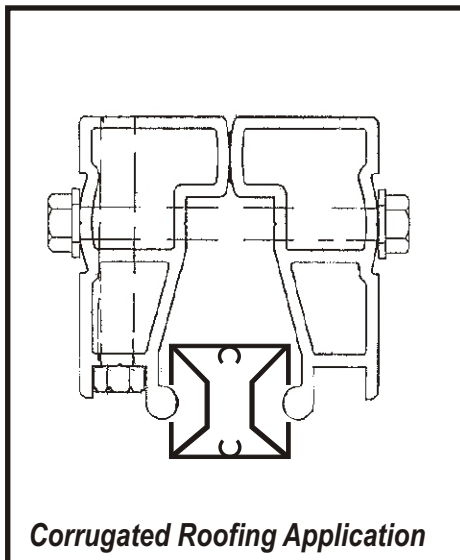
SECURED INTO PLACE IN MINUTES

DOES NOT PIERCE ROOF MATERIAL

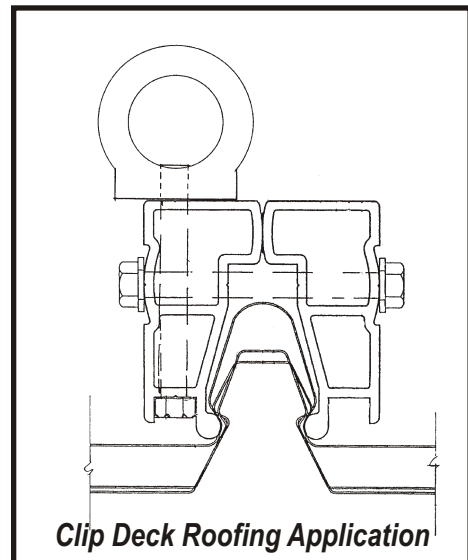
IDEAL FOR MAINTENANCE AND SERVICE APPLICATIONS

*** Tested to Australian Standards 1891.4-2000**

Patent Pending Number: PR8846



Corrugated Roofing Application



Clip Deck Roofing Application

Aldeck SAFETY
SYSTEMS^{PTY LTD}

For further details contact:
Tel: (03) 9359 4300
Fax: (03) 9357 2337
Email: aldeck@aldeck.com.au
Web: www.aldeck.com.au

